

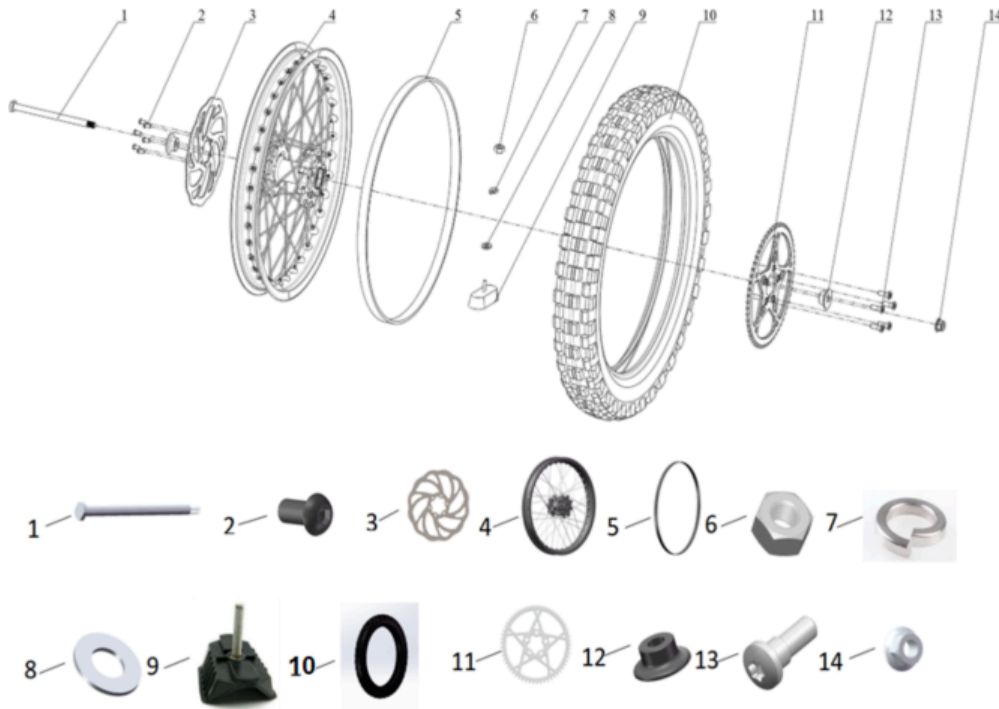


E-Tango - No Homologada VERDE 2024

Exploded

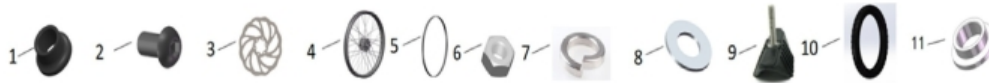
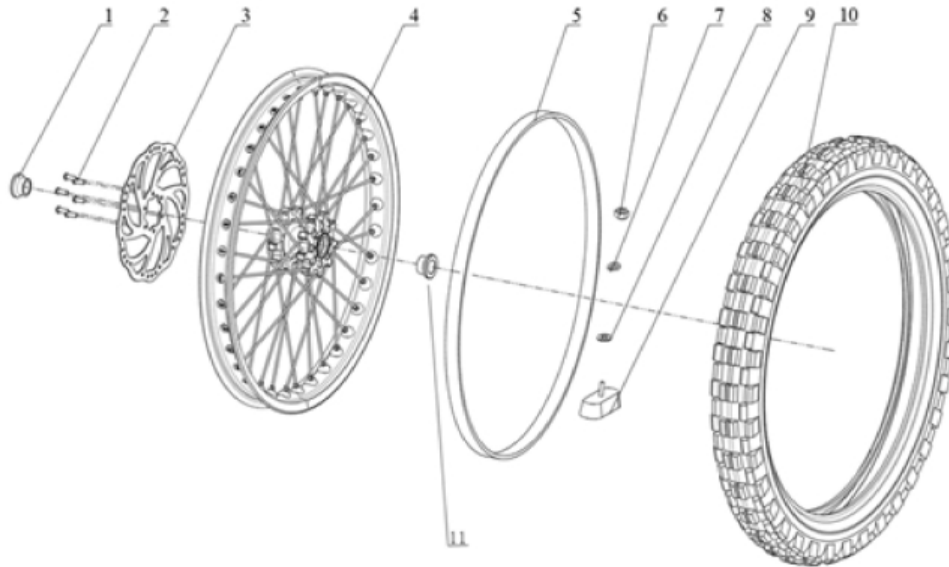


RUEDA POSTERIOR



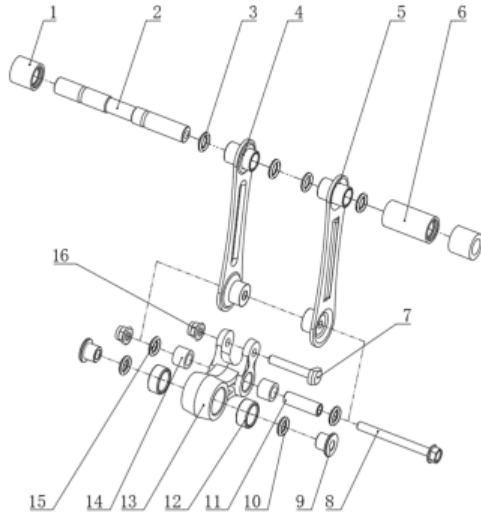
1	REAR WHEEL AXLE 0/000.190.8501 (u. 1)
2	SCREW M6x12 10.9 BLACK 0/000.460.8501 (u. 6)
3	REAR DISC BRAKE Ø210 0/001.090.8501 (u. 1)
4	Rear rim 18" 0/000.230.8505 (u. 1) - <i>Versión Enduro</i>
5	RIM TAPE 0/000.220.8510 (u. 1) - <i>Version Enduro</i>
6	NUT DIN 934 M8 A2 STAINLESS STEEL 0/000.340.8000 (u. 1)
7	GROWER WASHER DIN 127/B M8 Cal.A2 STAINLESS STEEL 0/000.440.0210 (u. 1)
8	FLAT WASHER DIN 125/A M8 Z/WHITE 0/000.440.0160 (u. 1)
9	REAR WHEEL BRAKE 0/000.220.8502 (u. 1)
10	CUBIERTA ENDURO 90/100-18 + CAMARA 0/000.510.8505 (u. 1) - <i>Versión SM</i>
10A	REAR TIRE TUBE E-TANGO 18" 0/000.520.8502 (u. 1)
11	PLATO ARRASTRE Z58 0/000.500.8502 (u. 1)
12	WHEEL SPACER 0/000.480.8501 (u. 2)
13	SCREW M8x25 PLATE FIXATION 0/000.460.8502 (u. 5)
14	METAL SELF-LOCKING NUT M12x1.25 0/000.340.8501 (u. 1)

RUEDA DELANTERA



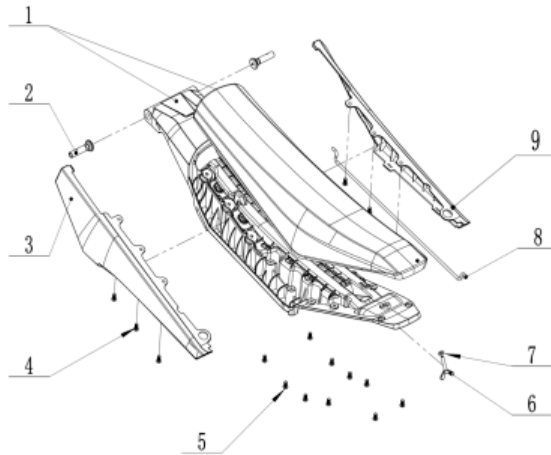
1	FRONT WHEEL SPACER 0/000.480.8502 (u. 2)
2	SCREW M6x12 10.9 BLACK 0/000.460.8501 (u. 6)
3	REAR DISC BRAKE Ø210 0/001.090.8501 (u. 1)
4	Front rim 19" 0/000.230.8506 (u. 1)
5	WHEEL PROTECTOR 19" 0/000.220.8504 (u. 1) - <i>Versión Enduro</i>
6	NUT DIN 934 M8 A2 STAINLESS STEEL 0/000.340.8000 (u. 1)
7	GROWER WASHER DIN 127/B M8 Cal.A2 STAINLESS STEEL 0/000.440.0210 (u. 1)
8	FLAT WASHER DIN 125/A M8 Z/WHITE 0/000.440.0160 (u. 1)
9	FRONT WHEEL BRAKE 0/000.220.8505 (u. 1)
10	Tire & Inner Tube (Include Tape) 0/000.510.8506 (u. 1)
10A	FRONT TIRE TUBE E-TANGO 19" 0/000.520.8501 (u. 1) - <i>Solo camara para versión enduro</i>
11	SEPARATOR Ø20xØ35x11 0/000.480.8511 (u. 1)

TRAPECIO



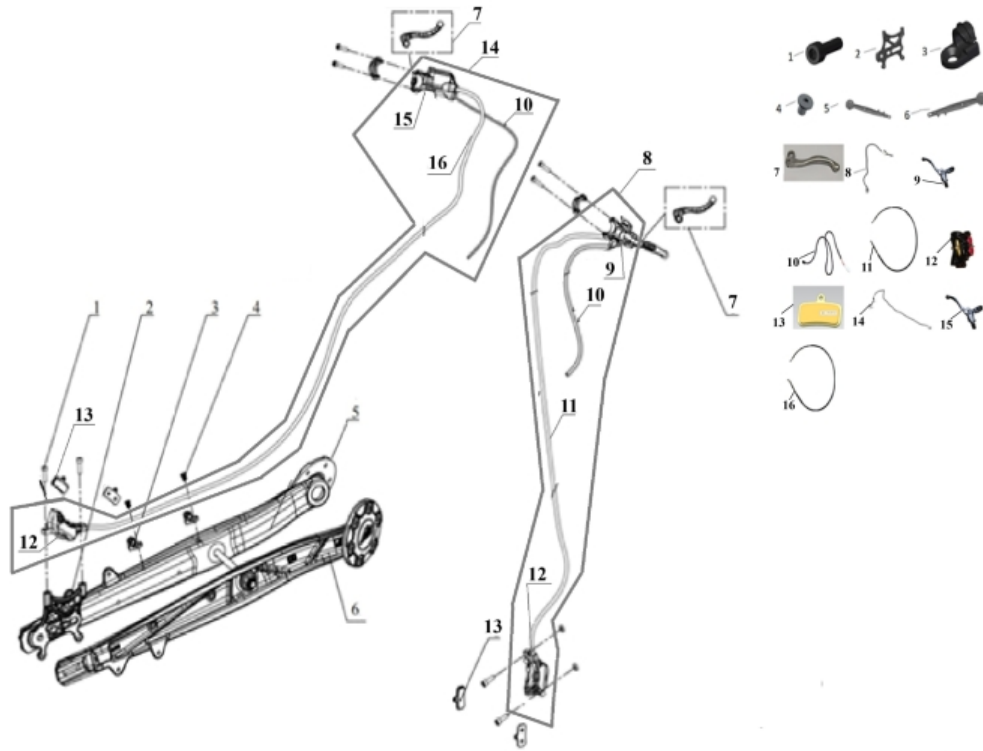
1	EXTERNAL LINKAGE NYLON SPACER 0/000.480.8505 (u. 2)
2	SPACER LINKAGE 14x150mm 0/000.480.8504 (u. 1)
3	O-RING 0/000.490.8501 (u. 4)
4	BIELETA LH 0/000.770.9102 (u. 1)
5	RH LINKAGE 0/000.770.8501 (u. 1)
6	NYLON LINKAGE INNER SPACER 0/000.480.8506 (u. 1)
7	TRAPEZOID SCREW M8x1.25x50 0/000.460.8506 (u. 1)
8	SCREW M8x1.25x85 0/000.460.8507 (u. 1)
9	TRAPEZOID SEPARATOR 0/000.480.8507 (u. 2)
10	O-RING 0/000.490.8502 (u. 2)
11	INNER TRAPEZOID SEPARATOR 0/000.480.8512 (u. 1)
12	TRAPEZOID BEARING 0/000.960.8503 (u. 2)
13	TRAPEZOID SUPPORT 0/000.980.8505 (u. 1)
14	Bearing 0/000.960.8504 (u. 1)
15	O-RING 0/000.490.8503 (u. 2)
16	TRAPEZOIDAL SHOCK ABSORBER NUT M8 0/000.340.8506 (u. 2)

ASIENTO



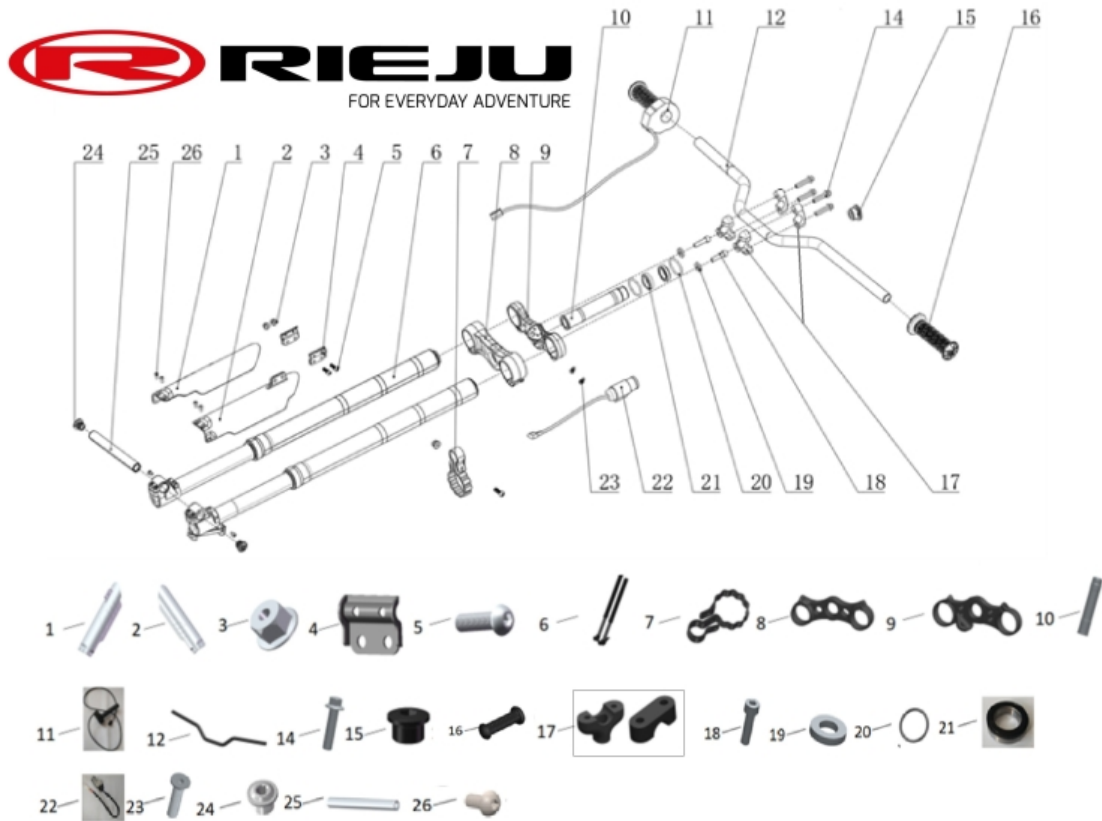
1	GREEN SEAT E-TANGO 0/000.040.8502 (u. 1)
2	BLACK SEAT E-TANGO 0/000.040.8501 (u. 1)
3	SEAT OPENING PIN 0/000.190.8504 (u. 2)
4	LEFT HAND SIDE SEAT PLATE BLACK 0/000.570.8504 (u. 1)
5	TORNILLO PLASTICA SILLIN M6x18 0/000.460.8532 (u. 6)
6	TORNILLO BASE SILLIN M6x10 0/000.460.8533 (u. 10)
7	BUTTERFLY SCREW M6x25 0/000.460.8516 (u. 1)
8	FLAT WASHER DIN 125/A M6 Z/WHITE 0/000.440.0131 (u. 1)
9	SEAT SUPPORT BAR 0/000.980.8520 (u. 1)
9	RH BLACK SEAT SIDE PANEL 0/000.570.8503 (u. 1)

FRENO



1	REAR CALIPER BRACKET SCREW 0/000.460.8517 (u. 2)
2	REAR CALIPER BRACKET 0/000.980.8506 (u. 1)
3	CABLE CLIP 0/000.680.8501 (u. 2)
4	COUNTERSUNK ALLEN SCREW M6x10 0/000.460.8518 (u. 2)
5	BRAZO BASCULANTE LH 0/000.020.8504 (u. 1)
6	SWINGARM RH 0/000.020.8501 (u. 1)
7	BRAKE LEVER RH / LH 0/000.830.8201 (u. 1)
8	FRONT BRAKING SET 0/000.820.8502 (u. 1)
9	BRAKE LEVER RH / LH 0/000.830.8201 (u. 2)
11	PUMP TO CALIPPER HOSE (FRONT) 0/000.290.8502 (u. 1)
13	BRAKE PAD KIT (2 PCS) 0/K00.930.8501 (u. 2)
14	REAR BRAKING ASSEMBLY 0/000.820.8501 (u. 1)
15	BOMBA FRENO TRASERO 0/000.860.8501 (u. 1)
16	REAR BRAKE HOSE 0/000.290.8501 (u. 1)

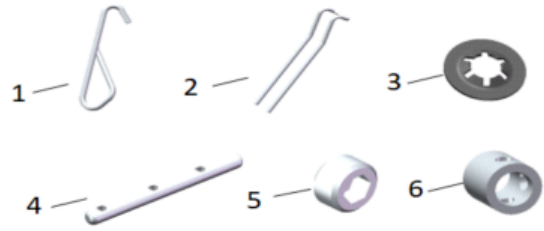
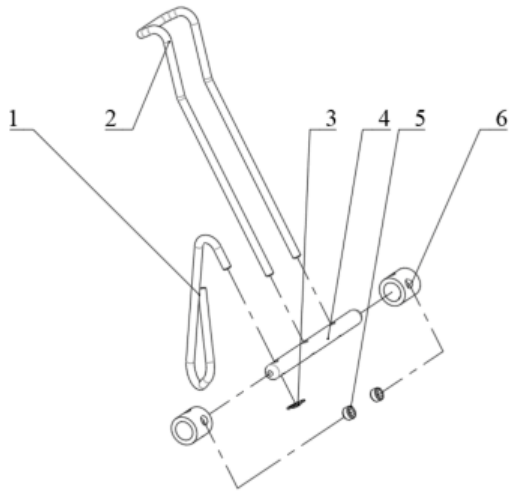
MANILLAR Y HORQUILLA



1	RH FORK PROTECTOR 0/000.220.8507 (u. 1)
2	LEFT FORK PROTECTOR 0/000.220.8508 (u. 1)
3	NUT DIN 6926 M6 GRADE 8 Z/WHITE 0/000.340.0170 (u. 1)
4	LOWER CABLE GUIDE SUPPORT FORK 0/000.980.8507 (u. 2)
5	SCREW ISO 7380 ALLEN M6x20 CAL.10.9 Z/WHITE 0/000.460.9008 (u. 1)
6	FORK 0/000.130.8501 (u. 1)
7	UPPER CABLE PASS SUPPORT FORK 0/000.980.8508 (u. 1)
8	PLATINA INFERIOR V2 0/000.660.8503 (u. 1)
9	UPPER PLATE 0/000.660.8501 (u. 1)
10	EJE DIRECCION 0/000.190.8505 (u. 1)
11	THROTTLE GRIP 0/000.530.8501 (u. 1)
12	HANDLEBAR 0/000.170.8501 (u. 1)
15	UPPER STEERING SCREW 0/000.460.8520 (u. 1)
16	LEFT HAND RUBBER GRIP 0/000.530.8502 (u. 1)
17	UPPER / LOWER HANDLEBAR CLAMP 0/000.350.8201 (u. 2)

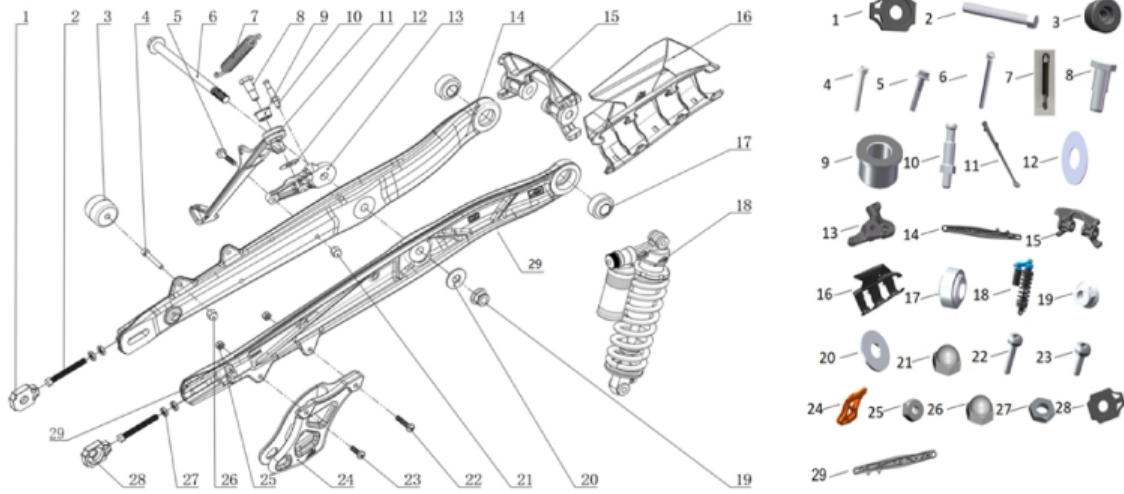
18	LOWER HANDLEBAR CLAMP BOLT 0/000.460.8521 (u. 2)
19	SPACER Ø20x10.5 0/000.480.8508 (u. 2)
20	O-RING 38x4 0/000.490.8504 (u. 2)
21	STEERING BEARING 0/000.960.8501 (u. 2)
22	MAIN IGNITION SWITCH 0/001.060.8501 (u. 1)
23	SCREW M5x16 0/000.460.8522 (u. 2)
24	FRONT AXLE SCREW M16x1.5x18 0/000.460.8508 (u. 2)
25	FRONT WHEEL AXLE 0/000.190.8507 (u. 1)
26	SCREW ISO 7380 Allen M5x10 Cal.10.9 WHITE ZINC PLATED 0/000.460.2000 (u. 1)

SUJECCION BATERIA



1	BATTERY LOCKING SPRING 0/000.470.8503 (u. 1)
3	WASHER UPPER SUPPORT BATTERY 0/000.440.8506 (u. 1)
4	BATTERY LOCK SUPPORT SHAFT 0/000.190.8506 (u. 1)
5	UPPER BATTERY SUPPORT SCREW 0/000.460.8529 (u. 2)
6	Torsional spring bushing 0/000.480.8513 (u. 2)

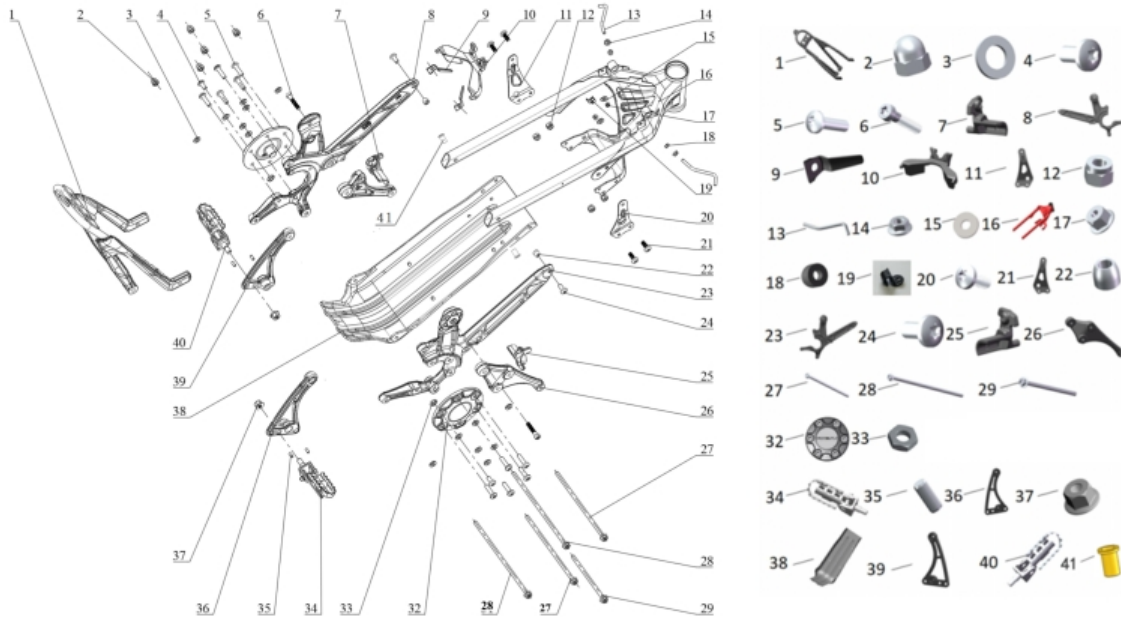
BRAZO OSCILANTE



1	CHAIN TENSIONER LH 0/000.380.8502 (u. 1)
2	CHAIN TENSIONER BOLT M8x60 0/000.460.8509 (u. 2)
3	RUBBER STOP STAND 0/000.360.8503 (u. 1)
4	ALLEN SCREW ISO 4762 - M6x25 0/000.460.0311 (u. 1)
5	HEXAGONAL SCREW WITH WASHER M6x28 0/000.460.8523 (u. 1)
6	LINKAGE SHAFT / SWINGARM 0/000.190.8503 (u. 1)
7	DOUBLE KICKSTAND SPRING 0/000.470.8502 (u. 1)
8	SIDE STAND BOLT 0/000.460.8510 (u. 1)
9	SIDE STAND SPACER 0/000.480.8509 (u. 1)
10	STAND SPRING RETENTION SHAFT 0/000.190.8502 (u. 1)
11	SIDE STAND 0/000.210.8501 (u. 1)
12	FLAT WASHER KICKSTAND 0/000.440.8502 (u. 1)
13	KICKSTAND BRACKET 0/000.980.8509 (u. 1)
14	BRAZO BASCULANTE LH 0/000.020.8502 (u. 1)
15	SWINGARM REINFORCEMENT BRACKET 0/000.980.8510 (u. 1)
16	CHAIN PROTECTOR / SLIDER 0/000.220.8509 (u. 1)

17	SWINGARM BEARING 0/000.960.8502 (u. 2)
18	SHOCK ABSORBER 0/000.180.8501 (u. 1)
19	METAL SELF-LOCKING NUT M12x1.25 0/000.340.8501 (u. 1)
20	SWINGARM WASHER 0/000.440.8503 (u. 2)
21	TUERCA CIEGA M6 0/000.340.8508 (u. 1)
22	SCREW M6x30 0/000.460.8524 (u. 1)
23	Screw M6x20 0/000.460.8525 (u. 1)
24	CHAIN GUIDE 0/000.360.8504 (u. 1)
25	SELF-LOCKING NUT M6 0/000.340.8504 (u. 2)
26	TUERCA CIEGA M6 0/000.340.8508 (u. 1)
27	CHAIN TENSIONER NUT M8x1.25 0/000.340.8505 (u. 4)
28	CHAIN TENSIONER RH 0/000.380.8501 (u. 1)
29	BRAZO BASCULANT RH 0/000.020.8503 (u. 1)

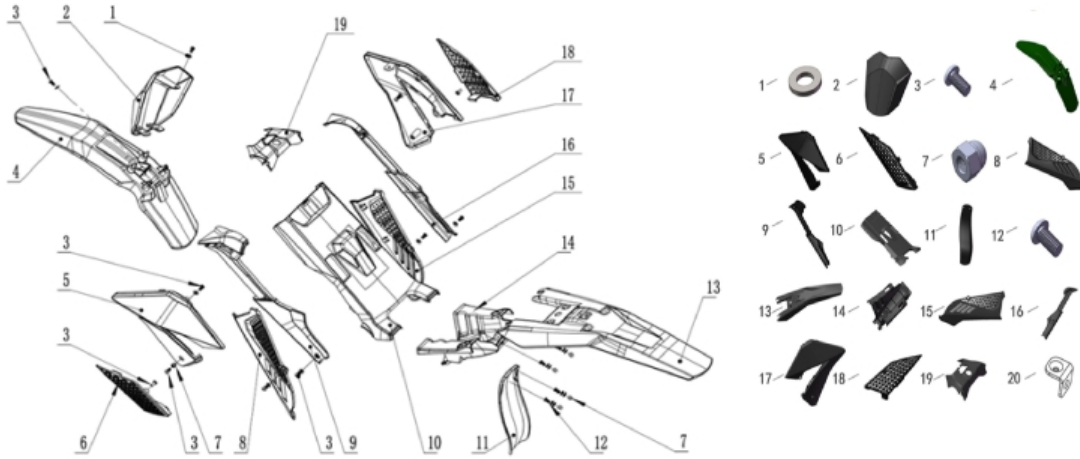
CHASIS



1	SUBCHASSIS E-TANGO 0/000.010.8502 (u. 1)
2	BLIND NUT M8 0/000.340.8509 (u. 5)
3	FLAT WASHER DIN 125/A M8 Z/WHITE 0/000.440.0160 (u. 14)
4	SCREW M8x16 0/000.460.8526 (u. 2)
5	SCREW M8x30 0/000.460.8527 (u. 10)
6	SCREW M8x40 0/000.460.8528 (u. 2)
7	BATTERY BRACKET LH 0/000.980.8512 (u. 1)
8	LEFT-HAND CHASSIS BRACKET 0/000.980.8516 (u. 1)
9	BATTERY STOP RUBBER SUPPORT 0/000.980.8517 (u. 2)
10	BATTERY STOP RUBBER 0/000.360.8505 (u. 1)
11	CHASSIS REINFORCEMENT LH 0/000.980.8519 (u. 1)
12	NUT DIN 985 M8 GRADE 8 ZINC/WHITE 0/000.340.0181 (u. 4)
13	SOPORTE TAPA DEL. LATERAL 0/000.980.8524 (u. 2)
14	NUT DIN 6923 M6 Cal.6 Z/WHITE 0/000.340.0016 (u. 2)
15	FLAT WASHER M6 0/000.440.8504 (u. 2)
16	CHASSIS E-TANGO 0/000.010.8501 (u. 1)
17	NUT DIN 6926 M6 GRADE 8 Z/WHITE 0/000.340.0170 (u. 2)

18	PLASTIC WASHER 0/000.440.8505 (u. 2)
19	CABLE CLIP 0/000.680.8501 (u. 1)
20	CHASSIS REINFORCEMENT RH 0/000.980.8518 (u. 1)
21	SCREW ISO 7380 Torx T-40 M8x25 STAINLESS STEEL 0/000.460.0081 (u. 4)
22	NUT CAP 0/000.410.8501 (u. 2)
23	RIGHT-HAND CHASSIS BRACKET 0/000.980.8515 (u. 1)
24	SCREW M8x18 10.9 0/000.460.8530 (u. 2)
25	BATTERY HOLDER RH 0/000.980.8511 (u. 1)
26	SHOCK ABSORBER SUPPORT 0/000.980.8523 (u. 2)
27	ENGINE SCREW M8x205 0/000.460.8511 (u. 2)
28	ENGINE BOLT M8x230 0/000.460.8512 (u. 2)
29	SCREW M8x135 0/000.460.8513 (u. 1)
32	SOPORTE CENTRADOR TORNILLOS MOTOR 0/000.980.8525 (u. 2)
33	CHAIN TENSIONER NUT M8x1.25 0/000.340.8505 (u. 2)
34	FOOTPEG RH 0/000.740.8501 (u. 1)
35	PASADOR CILINDRICO Ø5x12 0/000.840.8501 (u. 4)
36	RH FOOTREST SUPPORT 0/000.980.8513 (u. 1)
37	NUT M10 0/000.340.8510 (u. 2)
38	LOWER ENGINE GUARD 0/000.220.8512 (u. 1)
39	FOOTREST BRACKET LH 0/000.980.8514 (u. 1)
40	LEFT FOOTPEG 0/000.740.8502 (u. 1)
41	FOOTPEG SPACER 6x15 0/000.480.8514 (u. 2)

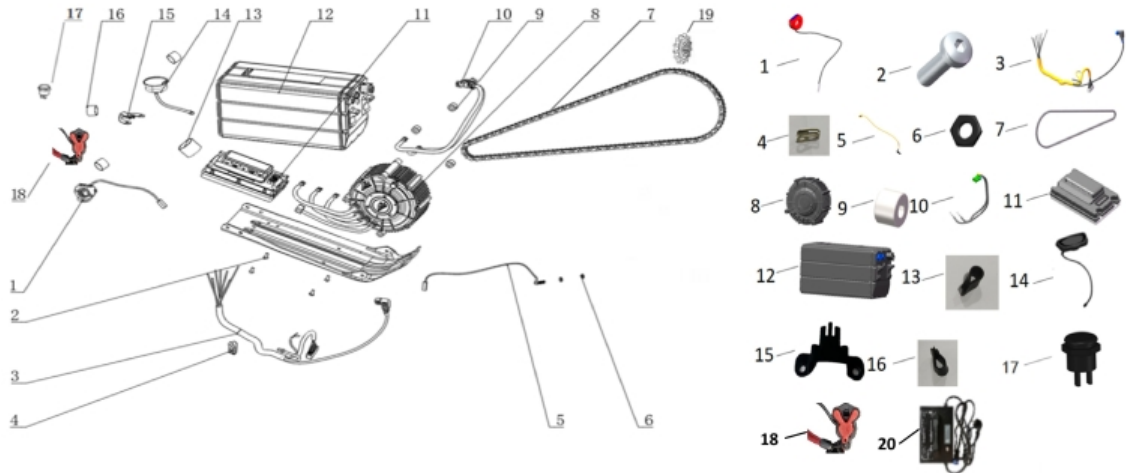
PLASTICOS



0	sticker E-MART-HOMO 0/000.390.8502 (u. 1)
1	FLAT WASHER DIN 125/A M6 Z/WHITE 0/000.440.0131 (u. 16)
3	SCREW ISO 7380 Torx T-30 WITH WASHER M6x12 STAINLESS STEEL 0/000.460.0044 (u. 11)
4	FRONT FENDER BLACK 0/000.050.8502 (u. 1)
	FRONT FENDER GREEN 0/000.050.8501 (u. 1)
5	RADIATOR COVER LH BLACK 0/000.570.8506 (u. 1)
6	UPPER SIDE GRILLE LH 0/000.570.8508 (u. 1)
7	BLIND NUT M6 0/000.340.8507 (u. 6)
8	LOWER SIDE GRILLE LH 0/000.570.8510 (u. 1)
9	BATTERY LEFT SIDE PLATE 0/000.570.8512 (u. 1)
10	TOP BATTERY PLATE 0/000.570.8513 (u. 1)
11	WHEEL WELL PROTECTOR 0/000.220.8511 (u. 1)
12	CONICAL SCREW M6x16 0/000.460.8504 (u. 4)
13	REAR FENDER WHITE 0/000.060.8502 (u. 1)
14	TOOLBOX 0/000.570.8514 (u. 1)
15	LOWER SIDE GRILLE RH 0/000.570.8509 (u. 1)
16	BATTERY SIDE PLATE RH 0/000.570.8511 (u. 1)
17	RADIATOR COVER RH BLACK 0/000.570.8505 (u. 1)

18	UPPER SIDE GRILLE RH 0/000.570.8507 (u. 1)
19	FRONT CABLE COVER TRIM 0/000.570.8502 (u. 1)

SISTEMA ELECTRICO



1	Switch Button 0/000.720.8501 (u. 1)
2	ISO 7380 TORX T-30 SCREW WITH WASHER M6x14 STAINLESS STEEL 0/000.460.3036 (u. 4)
3	Harness 0/000.160.8503 (u. 1)
4	INSTALLATION CLIP 0/000.300.8501 (u. 1)
5	KICKSTAND SENSOR 0/001.010.8501 (u. 1)
6	NUT M8 KICKSTAND SENSOR 0/000.340.8511 (u. 2)
7	CHAIN 134/420 0/001.050.8501 (u. 1)
9	ENGINE SPACER 0/000.480.8515 (u. 3)
10	DC INSTALLATION 0/000.160.8504 (u. 1)
11	ECU E-TANGI NH 0/005.705.8503 (u. 1)
12	BATTERY 74V 43Ah 0/000.900.8501 (u. 1)
13	CABLE PASS-THROUGH CLIP 0/000.300.8502 (u. 1)
14	DISPLAY E-TANGO ENDURO NH 0/001.000.8503 (u. 1)
15	KMS ACCOUNT HOLDER E-TANGO NH 0/000.980.8526 (u. 1)
16	CABLE CLIP 0/000.300.8503 (u. 1)
17	START BUTTON 0/000.720.8503 (u. 1)
18	SAFETY SWITCH "MAN OVERBOARD" E-TANGO 0/000.720.8504 (u. 1)
19	SPROCKET T11-420 0/005.400.8501 (u. 1)
20	CHARGER E-TANGO 0/000.901.8501 (u. 1)